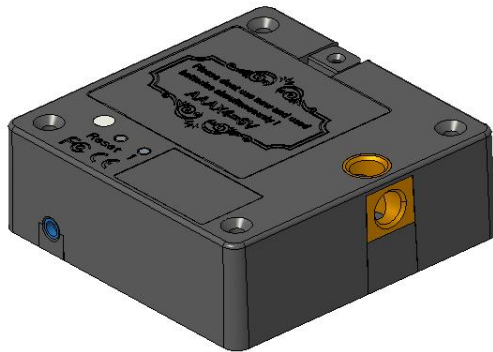


User manual



Preface

Dear Customers:

Thanks for choosing card cabinet lock offered by Kerong Industry (HK) Co ., Limited . Please read this 《User Manual 》 carefully before using.

Thanks for your kind understanding and support!

Contents

目录

Preface	2
1.Product Appearance	2
1.1 Lock body	2
1.2 Lock hook	2
1.3 Card	2
1.4 Screws	2
1.5 External power supply	2
2. Product Installation Dimension	3
3.Installation Drawing	4
4. Product Functions	5
4.1 Parameters	5
4.2 Functions & Features	5
5.Operations	7
5.1System initialization operation	7
5.2 Card matching operation	7
5.3Unlock mode switch (initial default: Public mode).....	8
5.4Key mode change (initial default: single key mode).....	9
5.5. Buzzer function setting (initial default: buzzer enabled).....	9
5.7. Unlock operation	10
5.8. Emergency measures	11
5.9. Warm reminder:	11

1. Product Appearance

1.1 Lock body

Material: ABS

Size: 80*80*27mm



1.2 Lock hook

Different hook types suit for various application

Hook A suits for both vertical and horizontal installation

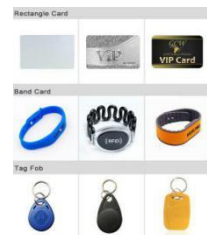
Hook D and Hook E suit for horizontal installation



1.3 Card

Different shapes of cards available:

wrist band, tag fob, rectangle card and so on.



1.4 Screws

Suitable screws for different material cabinets (wooden/metal) and different door thickness.



1.5 External power supply

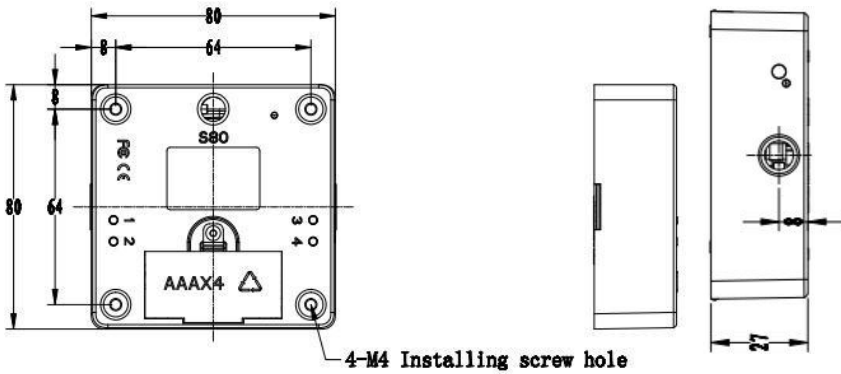
With external battery box and power adaptor



to work with lock body or front panel for emergency power supply.

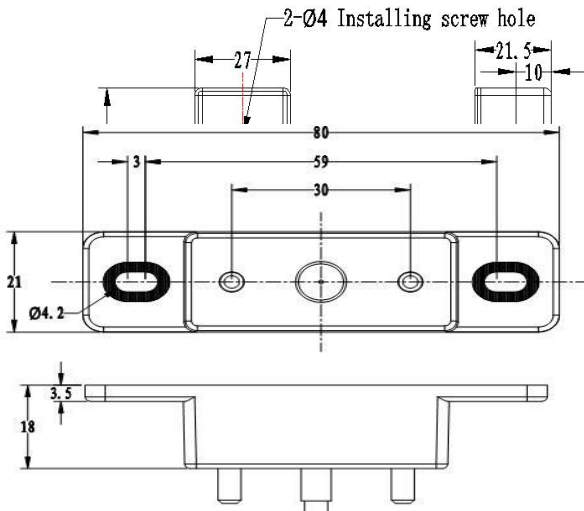


2. Product Installation Dimension

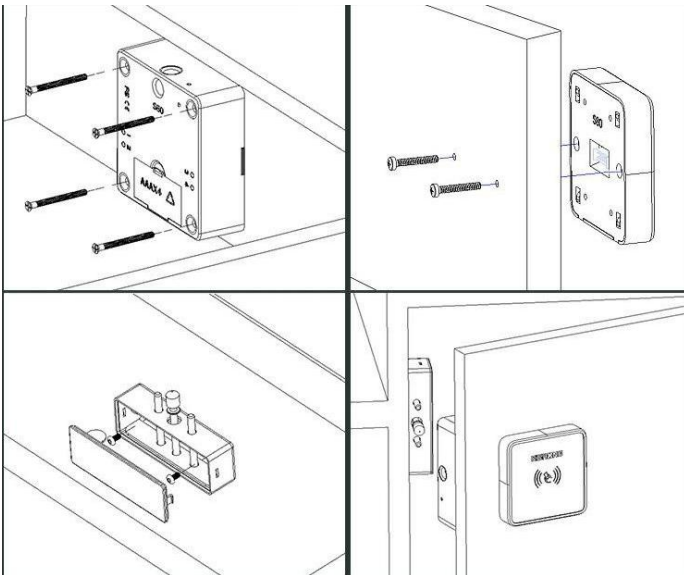


Lock body

Hook A



3. Installation Drawing



4. Product Functions

4.1 Parameters

Material	ABS for lock body shell, Acrylic &PC for panel
Power consumption	Load current <220mA
	Stall current <350mA
	Standby current <30mA
	dynamic power consumption<50mA
Working voltage	DC6V(4*AAA 1.5V) Voltage: 4.1V~6.3V
	Batteries can stand by for around 1 year
	Low voltage: 4.7V + 0.1V
	Extreme low voltage: below 4.1+0.1V, provide the last unlock
Working environment	Working temperature -20°C~ +65°C
	Working humidity 10% ~ 90%RH
Anti-static	Air static 15KV
	Touch static 8KV

4.2 Functions & Features

Functions	Features
Sound prompt	Lock will prompt with sound when button, low pressure, correct or wrong card, low pressure alarm sound prompt
Light prompt	Green: correct operation, configure the management card mode Red: Input error, configuration delete card mode Blue: Low voltage, switch unlock mode White: Standby state, single and double key switching mode

Alarm functions	<p>Low voltage alarm:</p> <p>1. When the internal battery voltage is lower than 4.7+0.1V, the "blue light" flashes after the unlocking is completed, and the "Di Di" beeps continuously for 8 times. It is recommended that the user replace the battery as soon as possible.</p>
	<p>2. When the internal battery voltage is lower than 4.1+0.1V, only the last unlock is provided, that is, the lock cannot be locked after unlocking, and the user is required to replace the battery.</p> <p>3. When the internal battery voltage is lower than 4.1+0.1V, the lock will automatically open, the blue light of the lock body flashes 4 times, the buzzer sounds 4 times, and the cycle ends after 5 times, this function needs to be enabled.</p>
	<p>Locking protection:</p> <p>Input wrong code/card, lock will shine in red twice and prompt with "di di". Wrong for 5 times continuously, lock will be unavailable for 5mins.</p> <p>During unavailable period:</p> <ol style="list-style-type: none"> 1. Use manager card/code can make it available. 2. Input user code/card lock will prompt with "didididi" and light shines in red.
Card functions	<ol style="list-style-type: none"> 1. Manager card: For setting user card, also can be used for emergency unlock in public mode. 2. User card: Only be used for unlocking. 3. Delete card: For deleting all user cards at one time, or delete a specific card. Can not delete the management card, can not be used to unlock 4. Query card: The ID number of the card used when the lock was switched on and off last time can be inquired (only the temporary open type can inquire the ID number and the management card ID cannot be inquired when the management card is unlocked).
	<ol style="list-style-type: none"> 1. "Lower than 4V automatic unlocking enable card" is used to enable lower than 4V automatic unlocking function 2. "Lower than 4V automatic unlocking disable card" is used to

	turn off the automatic unlocking function lower than 4V
	3. Enable & disable lock sound by card.
	4. "Switch mode function card" is used to switch the unlock mode
	5. "Switch Sector Card" for "Sector 0" and "Sector 1" switching modes

5.Operations

5.1System initialization operation

Project	Operation
System initialization (choose one of two)	Long press the "Reset" button to initialize the system, long press the "Reset" button for 3 seconds, the system beeps three times and the LED green light flashes twice, the initialization is successful; (Note: After initialization, all information is restored to the factory settings)
	Configure the initialization card through the handset machine, read the lock body with the configured initialization card, the lock body beeps three times and the LED green light flashes twice, the initialization is successful; (Note: After initialization, all information is restored to the factory settings)

5.2 Card matching operation

Project	Operation
Configuration management card (choose one of two)	Short press the "1" button 1 once, hear a "Di" beep, the LED green light flashes, read the "Management Card", hear a "Di" beep and the LED green light is on for 1 second, that is, "Management Card" The configuration is successful; (Note: One lock can be configured with 20 management cards, and only the management card can be configured to perform other operations such as switching modes with cards)

	<p>Configure a management card through the handheld, and then take the configured management card and swipe the lock of the management card to be configured. If you hear a beep of "di" and the LED green light turns on for 1 second, it becomes the management card of the lock.</p>
<p>Configure delete card (choose one of two)</p>	<p>Short press the "1" button twice, hear a beep of "Di" and the red LED light flashes, read the "Management Card", hear a beep of "Di" and the green light of the LED lights up for 1 second, that is, "Delete Card" "The configuration mode is successfully entered, and the blank card is swiped in at this time, the "Di" beeps, and the LED green light is on for 1 second, that is, the configuration and deletion of the card is successful; (Note: One lock can configure 10 deletion cards)</p> <p>You can configure a deletion card through the handheld (delete all user cards at a time or delete only one specified user card at a time), and then take the configured deletion card and swipe the lock of the deletion card to be configured to become the deletion card of the lock. . To delete the designated card, first swipe the deletion card, and then swipe the designated user card or waiter card to be deleted.</p>
<p>Configure User Cards</p>	<p>Read "Management Card" once, "Di" beeps once, LED green light flashes, then read "User Card" (ie "Management Card + User Card"), "Di" beeps once, LED green light is on for 1 second , the user card configuration is successful; "Di Di" beeps twice and the LED red light flashes twice, the configuration fails; the "user card" can be read for configuration during the green LED flashing</p>
<p>Configure service card (The service card can only be configured in the double key mode)</p>	<p>Read "Management Card" twice, "Di" beeps once, LED green light flashes at a slower frequency, then read "Service Card" (ie "Management Card + Management Card + Service Card), "Di" beeps once , LED green light is on for 1 second, the service card configuration is successful; "Di Di" beeps twice, the LED red light flashes twice, the configuration fails; the "service card" can be read during the LED green light flashes to configure</p>
<p>Note: A lock can be configured with up to 130 cards (including management cards and delete cards). In dual key mode, the total number of configured user cards and service cards is 100, and the number of the two configurations does not need to be equal.</p>	

5.3Unlock mode switch (initial default: Public mode)

Public mode	Press the "1" button three times, beep three times, and the
-------------	---

	LED blue light flashes. At this time, the management card is swiped, the motor rotates, the "Di" beeps once, and the LED green light lights up once, and the mode is public mode.
Private mode	Press the "1" button three times, beep three times, and the LED blue light flashes. At this time, the management card is swiped, the motor rotates, the "beep" beeps twice, and the green LED lights up twice, and the mode is private mode.
Limited Public mode	Press the "1" button three times, beep three times, and the LED blue light flashes. At this time, the management card is swiped, the motor rotates, the "Di" beeps three times, the LED green light lights up twice, and the mode is limited public mode
<p>By swiping the mode setting card on the lock body, you can switch the mode of the lock. Swipe the card once to switch a mode. The three modes of "Public mode -Private mode-Limited public mode" are cyclically switched. When the mode setting card is swiped, the buzzer will sound once, indicating that the switch is public mode . The buzzer sounds twice, indicating that it is switched to the private mode. The buzzer sounds three times, indicating that it is switched to the limited public mode.</p>	

5.4Key mode change (initial default: single key mode)

Single key mode	Press the "1" button four times, beep four times, and the LED white light flashes. At this time, the management card is swiped, and the "Di" beeps once, the LED green light lights up once, and the mode change to single key mode.
Double key mode	Press the "1" button four times, beep four times, and the LED white light flashes. At this time, the management card is swiped, and the "Di" beeps twice, the LED green light flashes twice, and the mode is switched to double key mode.

5.5. Buzzer function setting (initial default: buzzer enabled)

Buzzer enable operation	Use the configured " sound card", swipe the lock, the green light will turn on, the buzzer will sound once, and the buzzer will be enabled. (If the light is red, just swipe again) Note: The card is provided by the manufacturer or configured by the user through the handset machine
Buzzer disabled operation	Use the configured " sound card", swipe the lock, the red

	<p>light will turn on, the buzzer will sound once, and the buzzer will be disabled. (If the light is green, just swipe again)</p> <p>Note: The card is provided by the manufacturer or configured by the user through the handset</p>
--	---

5.6. Lower than 4V automatic unlock function setting (disabled by factory default)

<p>Below 4V automatic unlocking enable</p>	<p>Use the configured "below 4V automatic unlocking enable card", swipe the lock, the green light will turn on, the buzzer will sound once, and the lock hook alarm will be disabled.</p> <p>Note: The card is provided by the manufacturer or configured by the user through the handset</p>
<p>Automatic unlocking disabled when lower than 4V</p>	<p>Use the configured "lower than 4V automatic unlocking disabled card", brush the lock, the red light will turn on, the buzzer will sound once, and the lock hook alarm will be disabled.</p> <p>Note: The card is provided by the manufacturer or configured by the user through the handset</p>

5.7. Unlock operation

<p>Private mode (The lock body itself is in a locked state)</p>	<p>User need to configure the user card and service card through the management card, and then enter the correct user card and service card, the matching is successful, the motor rotates the lock tongue to open, the buzzer makes a beep, the LED green light turns on for 2 seconds, and the lock tongue automatically turns on after 6 seconds. Closed, the buzzer makes a "beep", then the user can lock the hook</p>
<p>Limited Public mode (The lock body itself is in an unlocked state)</p>	<p>There is no need to configure a user card, input any user card to lock (the lock body will not automatically unlock), the user needs to unlock the locked user card, this user card is valid for one-time unlocking; in this mode, the manager card can be unlocked Lock closed of any user</p>
<p>Public mode(The lock body itself is in a locked state)</p>	<p>It is necessary to configure the user card and the service card through the management card, and then input the correct user card and service card. The matching is successful, the motor turns the latch to open, and the correct user card and service card need to be input again to close. At this time, the user locks the hook</p>

5.8. Emergency measures

1) The internal battery of the combination lock is dead, and the lock can be unlocked by external power supply

5.9. Warm reminder:

- 1) After using the external power supply, keep it properly, please do not put it in the cabinet;
- 2) The red light flashes after unlocking, indicating that the internal voltage is insufficient, please replace the new battery in time;
- 3) Enter the user card for 5 consecutive times, the system will be locked, "Di Di Di" beeps rapidly, and the LED red light flashes continuously. During this period, the unlocking operation cannot be performed. Please wait patiently for 5 minutes and the system will automatically unlock, or Unlock with management card.Lock keeps unlocking under public mode, manager card should be programmed first(manager card can use for emergency unlock). Any card to lock and same card to unlock.

KERONG**— Technology Change Life —****KERONG INDUSTRY (HK) CO., LIMITED**

ADD: 2nd Floor, Tonghe Industry Park, Fuping North Rd Pingdi Street,

Longgang District, Shenzhen, Guangdong, China

Tel:0755-28396063

Fax: +86-755-83117533

Website:

www.kerong.hkhttp://szkerong.en.alibaba.com/ Email:kr30@kerong.hk